

HV STECKER / HV CONNECTOR

EVO HS 20 PTFE, 00.220.878.9 & HB 20, 00.220.877.9

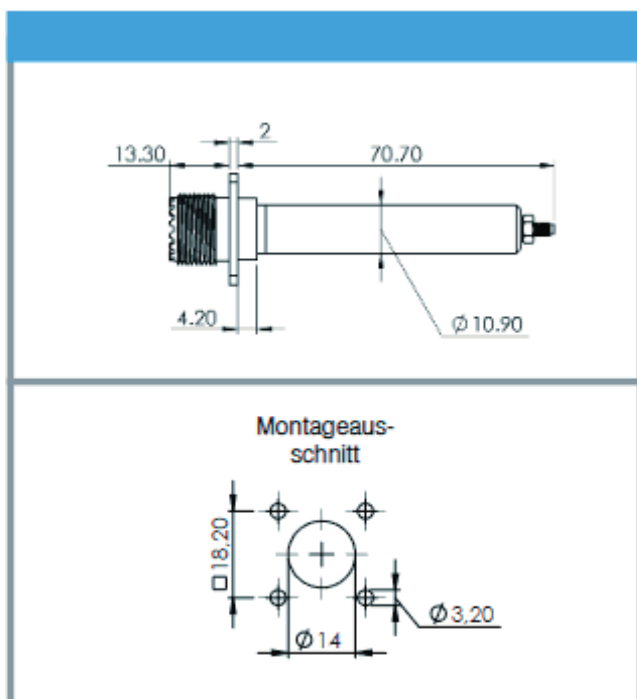
Elektrische Kennwerte

Betriebsspannung (DC)	20 kV
Prüfspannung (DC)	30 kV
Nennstrom	30 A
Max. Dauerstrom	40 A
Stoßstrom	3000 A
Durchgangswiderstand	300 $\mu\Omega$
Isoliermaterial	PTFE
RoHS Konform	Ja

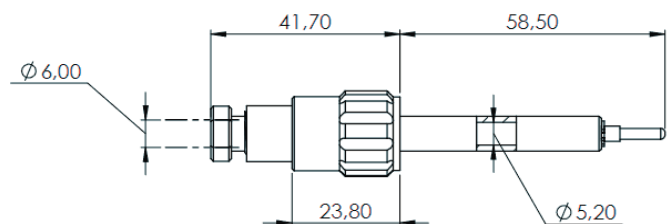
Electrical values

Operating voltage (DC)	20 kV
Test voltage (DC)	30 kV
Rated current	30 A
Max. operating current	40 A
Pulse current	3000 A
Contact resistance	300 $\mu\Omega$
Insulation material	PTFE
RoHS conform	Yes

HS20 Kabelstecker & HB20 / HS20 plug, cable mount & HB20



Zeichnungen - Maße in mm



Heinzinger electronic GmbH

Anton-Jakob-Str. 4
 83026 Rosenheim
 Germany

Phone: +49 8031 2458 0

Fax: +49 08031 2458 58

Email: info@heinzinger.de

Web: www.heinzinger.com

RoHS Compliant Certificate

On 2nd January 2013, Directive 2002/95/EC is repealed by Directive 2011/65/EU known as RoHS 2 Directive. In 2015, Directive 2015/863m known as RoHS 3, was published by the EU expanding the scope of the actual Directive by adding four restricted substances (phthalates), summing up to a total of now ten listed substances.

This last Directive bans as of 22nd July 2019 the introduction of products that contain excess of allowable concentrations of the now identified ten hazardous substances:

Substance	Maximal Concentraion
Lead (Pb)	0,1%
Cadmium (Cd)	0,01%
Polybrominated biphenyl (PBB)	0,1%
Polybrominated diphenylether (PBDE)	0,1%
Hexavalent Chromium	0,1%
Mercury (Hg)	0,1%
Benzyl butyl phthalat (BBP)	0,1%
Bis(2-ethylhexyl) phthalat (DEHP)	0,1%
Dibutyl phthalat (DBP)	0,1%
Diisobutyl phthalat (DIBP)	0,1%

All products are compliant with **2011/65/EU** and **2015/863/EU** of the European Parliament.



Some exemptions listed in Annexe III of Directive 2011/65/EU might apply to the products:

- (6b) Lead as an alloying element in aluminium containing up to 0,4% lead by weight
- (6c) Lead as an alloying element in copper alloys containing up to 4% lead by weight

For further information please contact us at info@heinzinger.de

Rosenheim, February 1st, 2022

Heinzinger electronic GmbH

Heinzinger electronic GmbH

Anton-Jakob-Str. 4

83026 Rosenheim

Germany

Phone: +49 8031 2458 0

Fax: +49 08031 2458 58

Email: info@heinzinger.de

Web: www.heinzinger.com